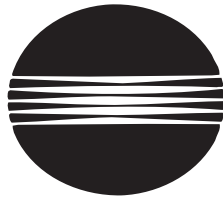


MINOLTA FAX2600/3600

PARTS MANUAL



MINOLTA

PREFACE

1. The part numbers listed in Parts Manual are those which were assigned to the parts making up the machine at the time machine was originally introduced onto the market.
2. Parts whose numbers are preceded by an asterisk in the Index Column on the List Page are parts to be used in only certain market areas. Therefore, please check the number in the Area column on the List Page and then compare it with the numbers given in the Area Chart on page II to find out which part number is applicable to your own areas.
NOTE: Parts for only certain Market Areas: The part numbers for these parts vary according to market area. In other cases, these parts are used in only restricted areas.
3. The Index Number on the List Page is composed of two numbers and two letters. Generally, only A is used as the first letter of the two letters. However, sometimes B, C, D, etc. are used when one part in the illustration, such as an electrical parts or a part which varies according to market areas, has two or more part numbers. The second of the two letters represents the modification history of that part.
4. The Areas Number is listed in the Areas Column for only those parts used in certain market areas. This Area Number represents the areas listed opposite to it in the Chart given on Page II. Parts having no Area Number listed in the Area Column can be used in all market areas.
5. In the exploded views in this Parts Manual the parts (Screws & Washes, etc...) which are indicated with a "four-digit" numbers are listed in numerical order in the section "SCREWS AND WASHERS". Please check these "four-digit" numbers with the part numbers ("ten-digit" numbers) which should be used for ordering the part.
6. All part numbers consist of "ten-digit" which should all be quoted when ordering a part. The price of parts can be obtained by referring to the "Parts Price List" which is separately issued.
7. All information contained in this parts manual is subject to change.

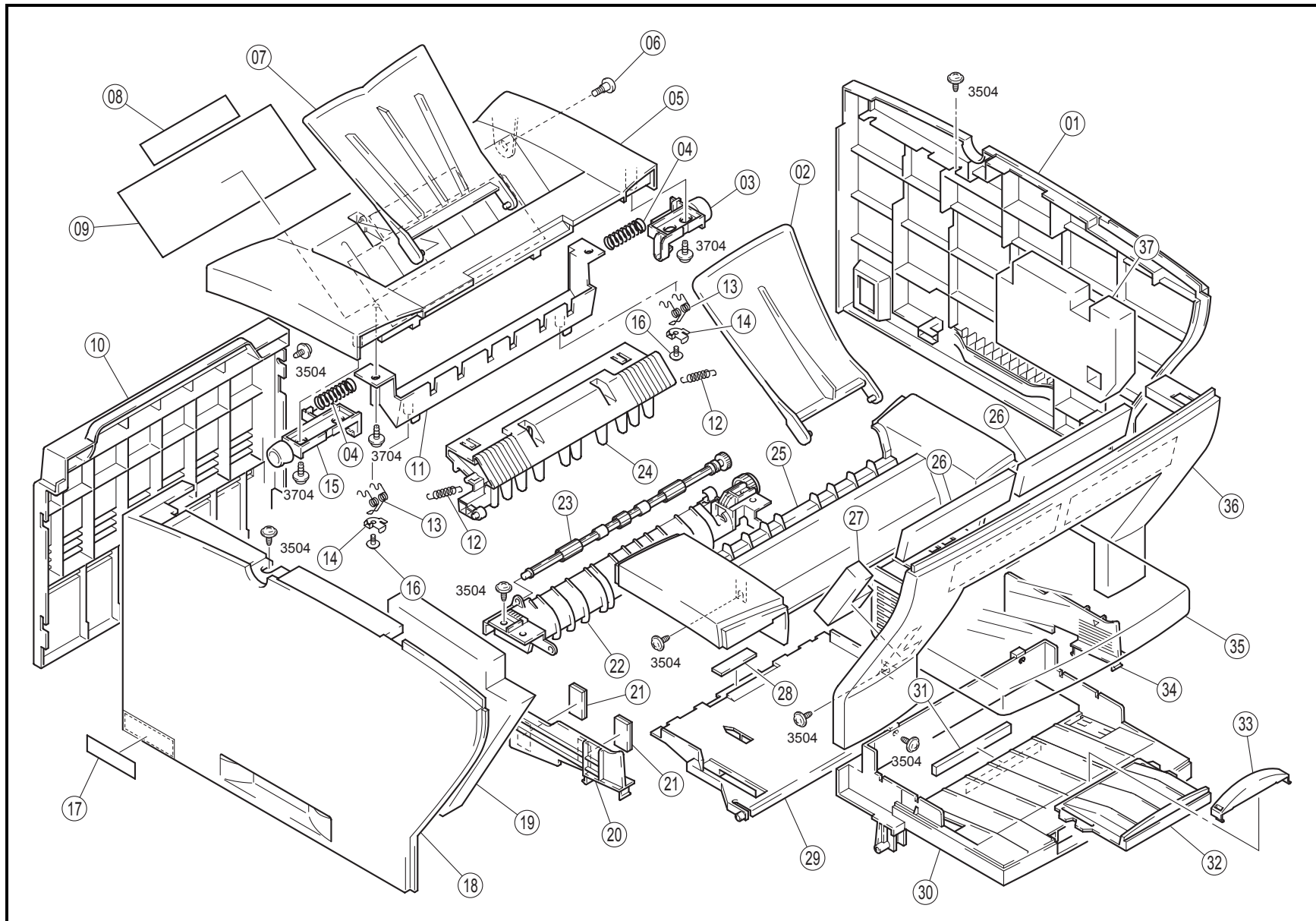
AREA CHART

AREA No.	AREA	(JAPAN)	AREA No.	AREA	(JAPAN)
0400	METRIC	○			
2300	INCH				
2520	120V				
2612	220/240V				

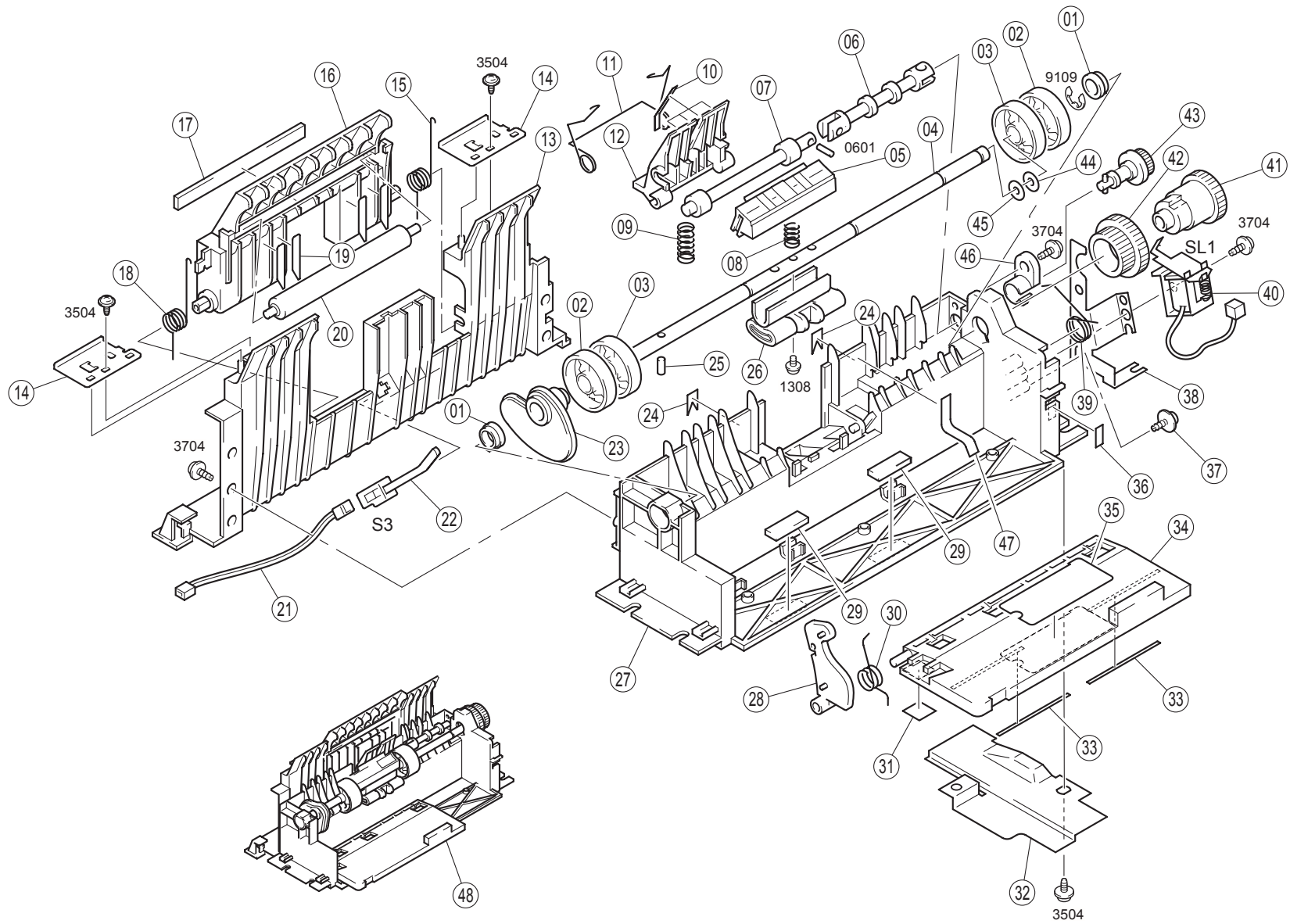
We recommend that you cross out from your Parts Manuals those parts numbers which do not apply your area so that no error is made when ordering parts.

CONTENTS

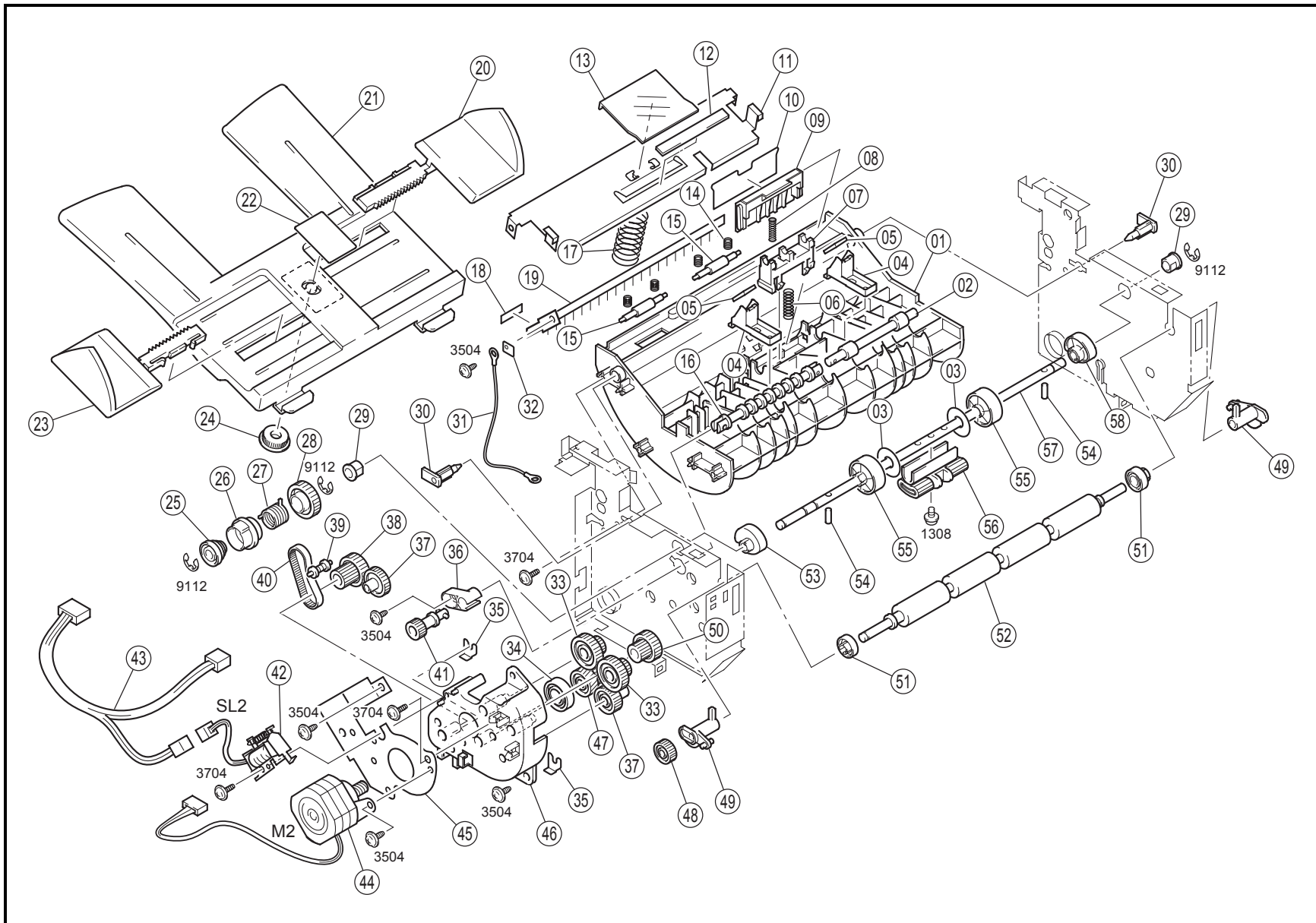
- 1. HOUSING 1
- 2. PAPER TAKE-UP SECTION 3
- 3. DRIVE SECTION 5
- 4. OPERATION PANEL (A) 7
- 5. OPERATION PANEL (B) 9
- 6. DRIVE/TRANSFER SECTION 11
- 7. FUSING UNIT 13
- 8. FRAMES 15
- 9. 2ND PAPER TAKE-UP SECTION 17
- 10. PAPER TRAY UNIT 19
- 11. SCREWS AND WASHERS 21
- 12. NUMERICAL INDEX 22



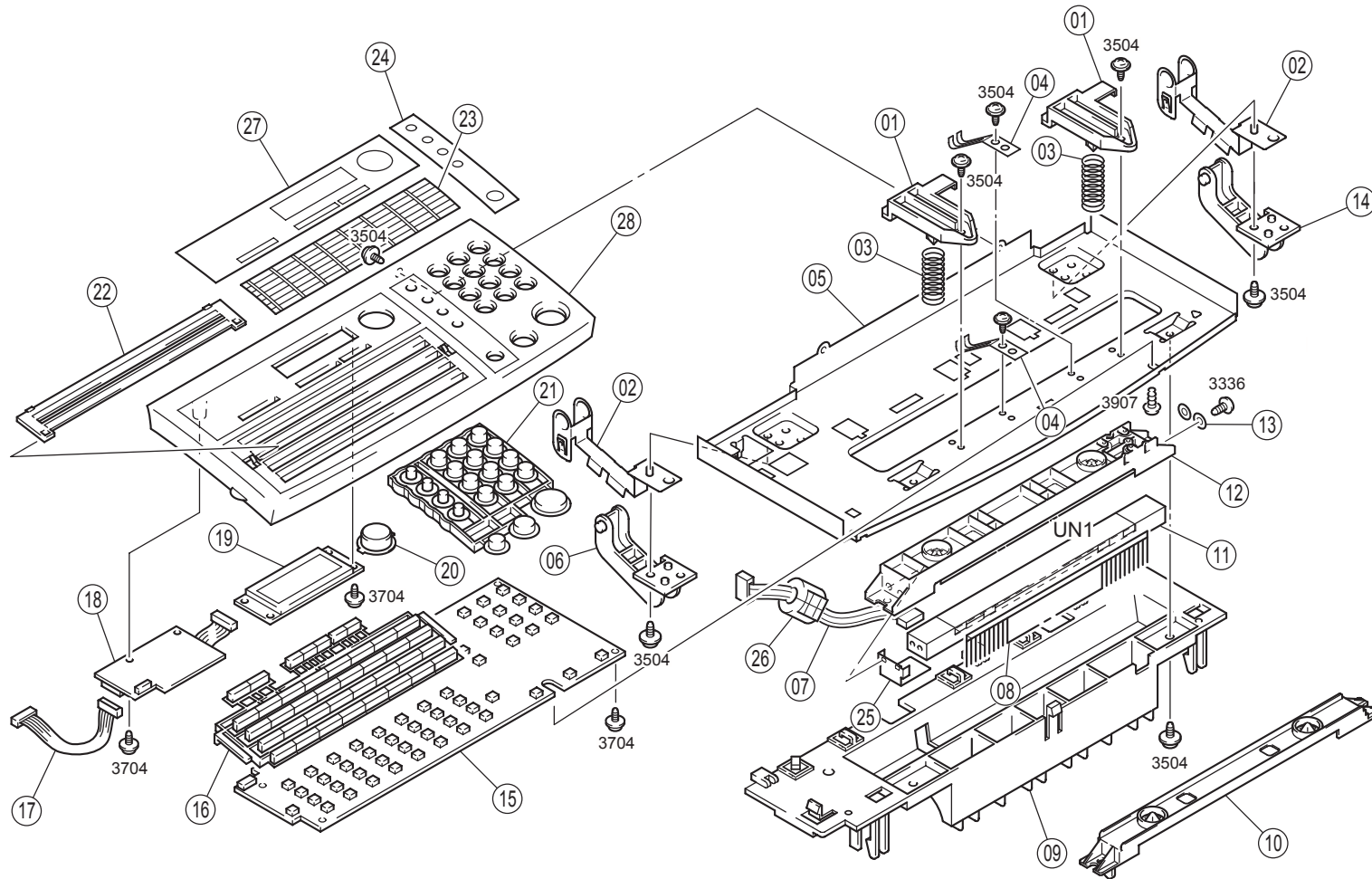
INDEX	PART NO.	PART NAME	QTY	AREA	REMARKS	INDEX	PART NO.	PART NAME	QTY	AREA	REMARKS
01AA	4111-1103-03	RIGHT COVER	1								
02AA	4111-3951-01	DISCHARGE TRAY	1								
03AA	4111-1108-02	LOCK LEVER	1								
04AA	4111-1105-01	PRESSURE SPRING	2								
05AA	4111-1001-04	TOP COVER	1								
06AA	4426-3138-01	SHOULDER SCREW	1								
07AA	4111-1007-01	EXIT TRAY	1								
08AA	4111-2031-01	LABEL	1								
09AA	4111-2030-01	I/C TRANSPORT LABEL	1								
10AA	4111-2055-01	REAR COVER	1								
11AA	4111-1002-03	COVER	1								
12AA	4111-3253-01	TENSION SPRING	2								
13AA	4111-2020-01	TORSION SPRING	2								
14AA	4109-2002-02	PLATE	2								
15AA	4111-1104-02	LOCK LEVER	1								
16AA	1250-2301-01	SCREW	2								
17AA	4111-1109-01	LABEL	1								
18AA	4111-1102-04	LEFT COVER	1								
19AA	4111-1152-01	NOIZE ABSORPITON	1								
20AA	4111-3303-03	REGULATING PLATE	1								
*21AA	4111-3304-02	CUSHION	2	2300							
*21BA	4111-3305-01	CUSHION	2	0400							
22AA	4111-0754-01	GUIDE	1								
23AA	4109-3730-01	ROLLER	1								
24AA	4111-0753-01	GUIDE	1								
25AA	4111-1107-03	COVER	1								
26AA	4111-1153-01	NOIZE ABSORPITON	2								
27AA	4111-1154-01	NOIZE ABSORPITON	1								
28AA	4109-3013-02	SHEET	1								
29AA	4111-3005-06	LIFTING PLATE	1								
30AA	4111-1008-03	PAPER PLATE	1								
31AA	4111-3402-01	FRICTION SHEET	1								
32AA	4111-1010-03	TABLE	1								
33AA	4111-1011-01	STOPPER	1								
34AA	4111-3302-04	REGULATING PLATE	1								
35AA	4111-1009-01	COVER	1								
36AA	4111-1101-04	FRONT COVER	1								
37AA	4111-1151-01	NOIZE ABSORPITON	1								



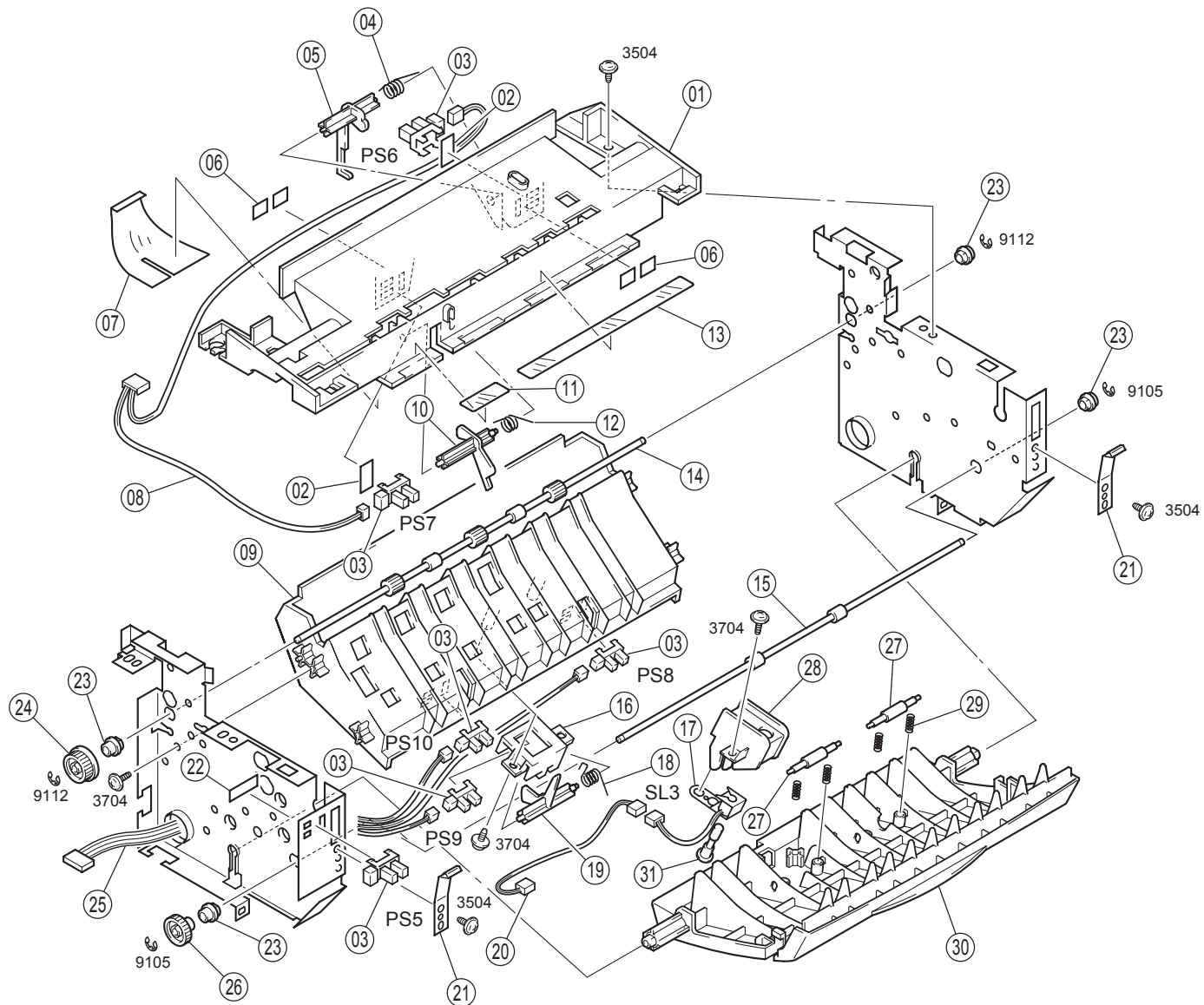
INDEX	PART NO.	PART NAME	QTY	AREA	REMARKS	INDEX	PART NO.	PART NAME	QTY	AREA	REMARKS
01AA	0972-3009-01	BUSHING	2			43AA	4109-3014-12	GEAR 18T	1		
02AA	4110-3056-01	ROLL	2			44AA	4109-3505-01	WASHER	1		
03AA	4110-3055-01	ROLL	2			45AA	4109-3504-01	WASHER	1		
04AA	4111-3029-03	SHAFT	1			46AA	4109-3015-14	BUSHING	1		
05AA	4111-0751-02	SEPARATED PAD	1			47AA	4111-3051-01	POLYESTER FILM	1		
06AA	4109-3033-01	JOINT	1			48AA	4111-0331-01	PAPER TAKE-UP UNIT	1		
07AA	4110-3032-01	ROLLER	1								
08AA	4111-3041-01	PRESSURE SPRING	1								
09AA	4109-3018-01	PRESSURE SPRING	1								
10AA	4111-3566-01	POLYESTER FILM	4								
11AA	4111-3571-02	TENSION SPRING	1								
12AA	4109-3502-03	HOLDER	1								
13AA	4111-3560-16	GUIDE PLATE	1								
14AA	4111-3567-01	PLATE	2								
15AA	4111-3559-02	TORSION SPRING	1								
16AA	4111-3551-15	GUIDE PLATE-RR	1								
17AA	4111-3556-02	CLEANING PAD	1								
18AA	4111-3558-02	TORSION SPRING	1								
19AA	4111-3564-02	POLYESTER FILM	4								
20AA	4111-3553-01	ROLL	1								
21AA	4111-6818-02	HARNES	1								
22AA	4111-6301-01	MICRO SWITCH	TAKE-UP (S3)	1							
23AA	4111-3007-02	CAM	1								
24AA	4111-3568-01	POLYESTER FILM	2								
25AA	0957-3040-01	PIN	1								
26AA	4109-3001-02	ROLLER	1								
27AA	4111-3501-06	BASE FRAME	1								
28AA	4111-3042-01	ARM	1								
29AA	4111-3018-01	CUSHION	2								
30AA	4111-3116-01	TENSION SPRING	1								
31AA	4111-3573-01	SPACER	1								
32AA	4111-3052-03	REINFORCE PLATE	1								
33AA	4111-3022-01	CUSHION	2								
34AA	4111-3043-04	LEVER	1								
35AA	4109-2036-01	POLYESTER FILM	1								
36AA	4111-3054-01	STOPPER	1								
37AA	1250-2301-01	SCREW	1								
38AA	4111-3050-02	GROUND PLATE	1								
39AA	4111-3319-02	TORSION SPRING	1								
40AA	4111-6203-02	SOLENOID	TAKE-UP (SL1)	1							
41AA	4111-3010-05	GEAR 36T	1								
42AA	4109-3034-13	GEAR 36/54T	1								



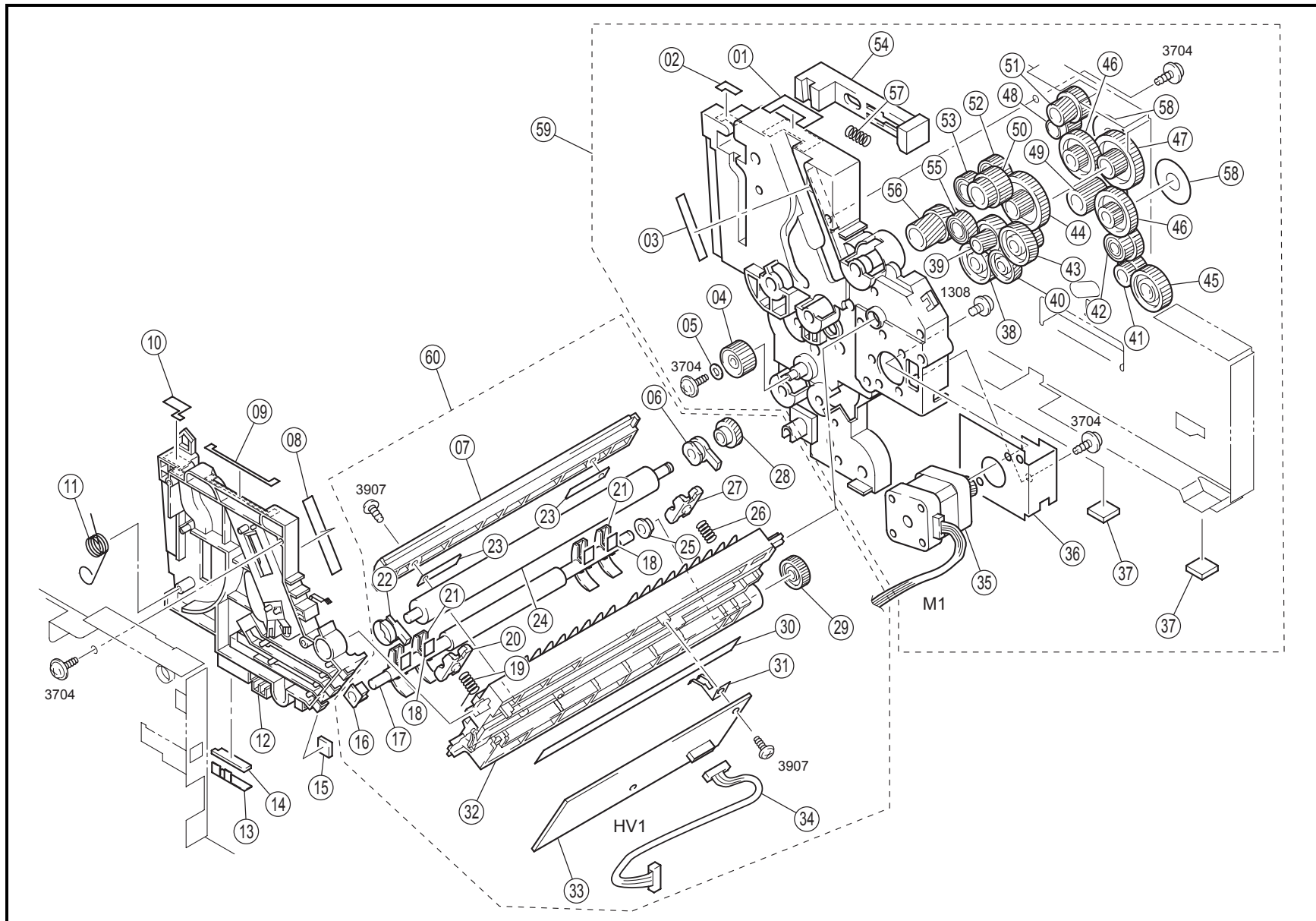
INDEX	PART NO.	PART NAME	QTY	AREA	REMARKS	INDEX	PART NO.	PART NAME	QTY	AREA	REMARKS
01AA	4111-2104-05	GUIDE	1			43AA	4111-6814-03	HARNES	1		
02AA	4111-3422-04	CONVEYOR ROLLER	1			44AA	4111-6104-02	MOTOR SCANNER (M2)	1		
03AA	4111-3447-01	SPACER	2			45AA	4111-2607-03	BRACKET	1		
04AA	4111-3433-04	HOLDER	2			46AA	4111-0758-01	HOLDER	1		
05AA	4111-3431-04	PAD	2			47AA	4111-2604-02	2ND GEAR 20/39T	1		
06AA	4111-3421-02	PRESSURE SPRING	1			48AA	4111-3610-01	GEAR 21T	1		
07AA	4111-3420-03	HOLDER	1			49AA	4111-3614-14	BUSHING	2		
08AA	4111-3414-03	PRESSURE SPRING	1			50AA	4111-2605-01	GEAR 18/32T	1		
09AA	4111-0752-01	SEPARATED PAD	1			51AA	4111-3608-02	COLLAR	2		
10AA	4111-3440-02	POLYESTER FILM	1			52AA	4111-3607-13	ROLLER	1		
11AA	4111-3401-02	LIFTING PLATE	1			53AA	4111-3408-02	CAM	1		
12AA	4111-3402-01	FRICION SHEET	1			54AA	0992-3040-01	PIN	2		
13AA	4111-3435-01	FRICION SHEET	1			55AA	4111-3441-01	SEPARATOR ROLL	2		
14AA	4111-3602-04	PRESSURE SPRING	4			56AA	4111-3404-03	PAPER FEED ROLLER	1		
15AA	4111-3906-01	ROLLER	2			57AA	4111-3405-03	SHAFT	1		
16AA	4111-3424-02	JOINT	1			58AA	4111-3409-02	CAM	1		
17AA	4111-3403-03	PRESSURE SPRING	1								
18AA	4111-3652-01	SPACER	1								
19AA	4111-3910-01	NEUTRALIZING BRUSH	1								
20AA	4111-3453-02	REGULATING PLATE	1								
21AA	4111-3451-03	PAPER PLATE	1								
22AA	4111-3456-01	LABEL	1								
23AA	4111-3452-02	REGULATING PLATE	1								
24AA	0957-3104-01	GEAR 14T	1								
25AA	4111-3416-01	STOPPER	1								
26AA	0992-3015-02	HOLDER	1								
27AA	0992-3019-01	CLUTCH SPRING	1								
28AA	4111-3415-01	GEAR 39T	1								
29AA	1200-3235-04	BUSHING	2								
30AA	4111-3425-02	LEVER SHAFT	2								
31AA	4111-6812-02	HARNES	1								
32AA	4111-2121-01	WASHER	1								
33AA	4111-2606-02	GEAR 18/37T	2								
34AA	4111-2613-01	COLLAR	1								
35AA	4111-2615-01	WASHER	2								
36AA	4111-3426-04	BUSHING	1								
37AA	4111-2611-02	GEAR 32T	2								
38AA	4111-2602-02	PLY GEAR 23/32T	1								
39AA	4111-2610-01	ROLL	1								
40AA	4111-2603-01	TIMING BELT	1								
41AA	4111-3423-01	GEAR 14T	1								
42AA	4111-6204-02	SOLENOID TAKE-UP (SL2)	1								



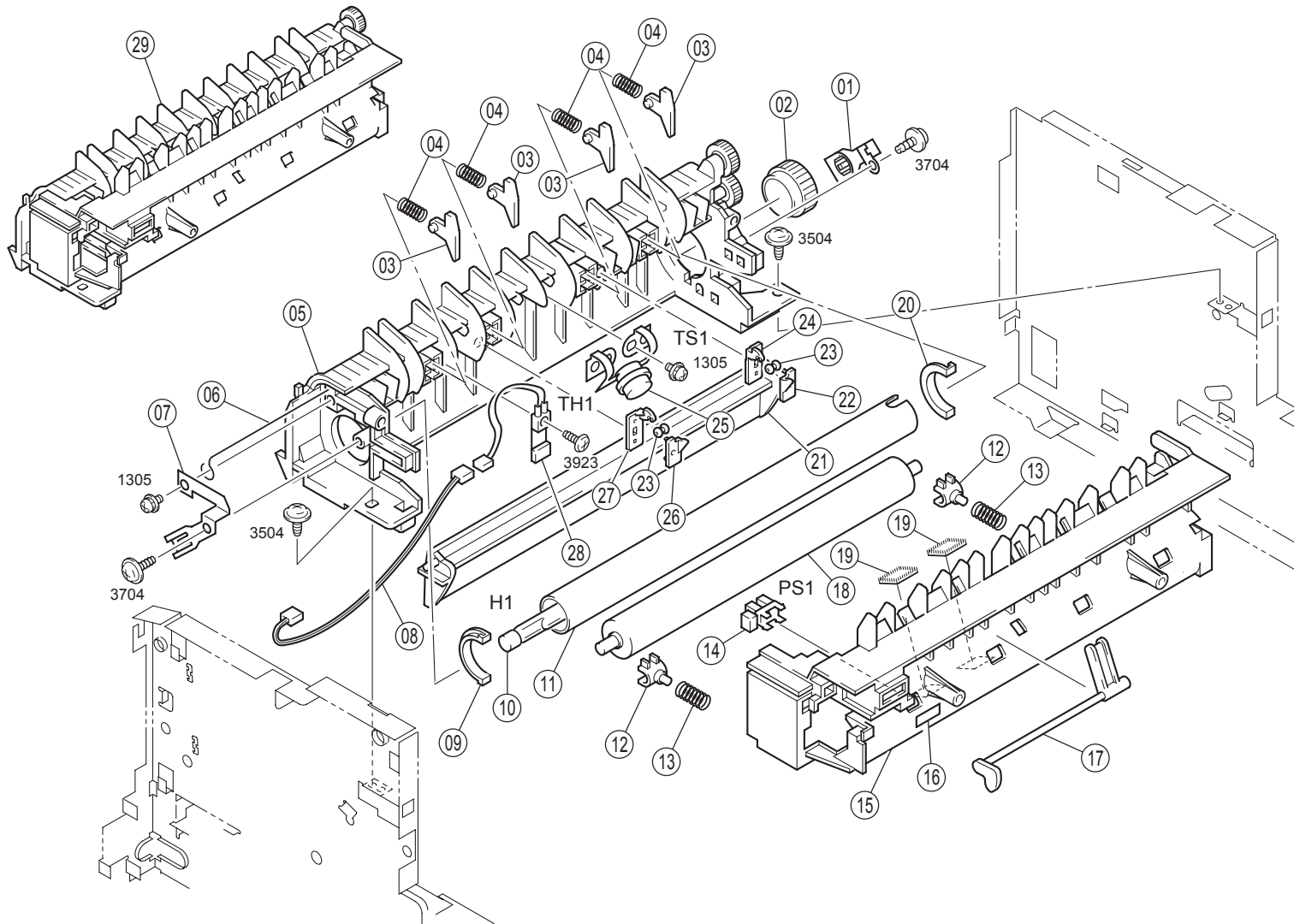
INDEX	PART NO.	PART NAME	QTY	AREA	REMARKS	INDEX	PART NO.	PART NAME	QTY	AREA	REMARKS
01AA	4111-3617-02	SUPPORT PLATE	2								
02AA	4111-2120-01	GROUND PLATE	2								
03AA	4111-3626-01	TENSION SPRING	2								
04AA	4111-2114-01	GROUND PLATE	2								
05AA	4111-2108-04	SHIELD	1								
06AA	4111-2111-02	HINGE	1								
07AA	4111-6813-02	HARNESS	1		MF2600						
07BA	4111-6817-02	HARNESS	1		MF3600						
08AA	4111-3627-01	CLEANER	1		MF2600						
08BA	4111-3625-01	CLEANER	1		MF3600						
09AA	4111-3611-18	HOLDER	1								
10AA	4111-3619-02	SET PLATE	1		MF3600						
11AA	4111-6020-01	PW BOARD	1		MF2600						(UN1)
11BA	4111-6021-01	PW BOARD	1		MF3600						(UN1)
12AA	4111-3631-01	MOUNTING MATERIAL	1		MF2600						
13AA	4111-3623-01	WASHER	2		MF2600						
14AA	4111-2113-01	HINGE	1								
15AA	4501-1005-01	PCB ASSY	1								
16AA	4501-1013-01	KEY	1								
17AA	4501-1014-01	HARNESS	1								
18AA	4501-1006-01	PCB ASSY	1								
19AA	4501-1007-01	LCD ASSY	1								
20AA	4501-1012-01	BUTTON	1								
21AA	4501-1011-01	BUTTON	1								
22AA	4501-1019-01	COVER	1								
23AA	4501-1017-01	LABEL	1		MF2600						
23BA	4501-1018-01	LABEL	1		MF3600						
24AA	4501-1016-01	FACE SHEET	1								
25AA	4111-3653-01	MOUNTING PLATE	1		MF2600						
26AA	9326-1410-31	FERRITE CORE	1								
27AA	4501-1015-01	FACE SHEET	1								
28AA	4501-1009-01	COVER	1		MF2600						
28BA	4501-1010-01	COVER	1		MF3600						



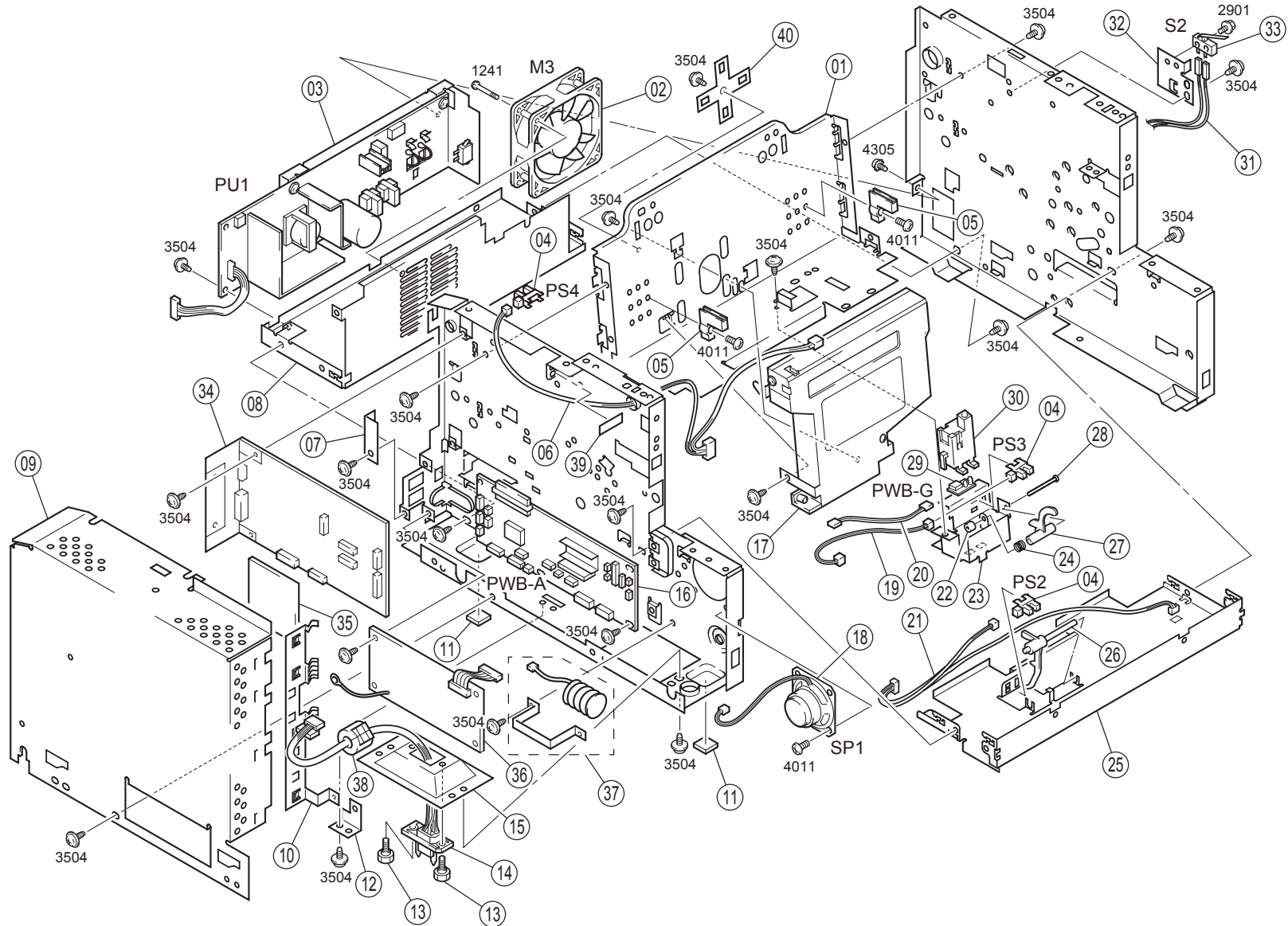
INDEX	PART NO.	PART NAME	QTY	AREA	REMARKS	INDEX	PART NO.	PART NAME	QTY	AREA	REMARKS
01AA	4111-2103-17	GUIDE PLATE-UPR	1								
02AA	4111-3434-01	SPACER	2								
03AA	9335-1410-31	PHOTO INTERRUPTER (PS5-10)	6								
04AA	4111-3419-01	TORSION SPRING	1								
05AA	4111-3407-01	ACTUATOR	1								
06AA	4111-3436-01	STOPPER	4								
07AA	4111-3444-01	POLYESTER FILM	1								
08AA	4111-6815-02	HARNESS	1								
09AA	4111-2105-03	GUIDE	1								
10AA	4111-3603-03	ACTUATOR	1								
11AA	4111-3613-02	POLYESTER FILM	1								
12AA	4111-3445-01	TORSION SPRING	1								
13AA	4111-3621-02	POLYESTER FILM	1								
14AA	4111-3902-04	ROLLER	1								
15AA	4111-3601-03	ROLLER	1								
16AA	4111-3618-01	HOLDER	1								
17AA	0997-6205-02	STAMP UNIT STAMP (SL3)	1								
18AA	4111-3406-01	TORSION SPRING	1								
19AA	4111-3901-02	ACTUATOR	1								
20AA	4111-6808-02	HARNESS	1								
21AA	4111-2110-03	PLATE SPRING	2								
22AA	4109-5530-01	STOPPER	1								
23AA	4111-3907-02	BUSHING	4								
24AA	4111-3909-02	PULLEY	1								
25AA	4111-6816-02	HARNESS	1								
26AA	4111-3905-02	GEAR 22T	1								
27AA	4111-3906-01	ROLLER	2								
28AA	4111-3651-04	COVER	1								
29AA	4111-3602-04	PRESSURE SPRING	4								
30AA	4111-2107-04	GUIDE LEVER	1								
31AA	0997-7801-01	STAMP	1								



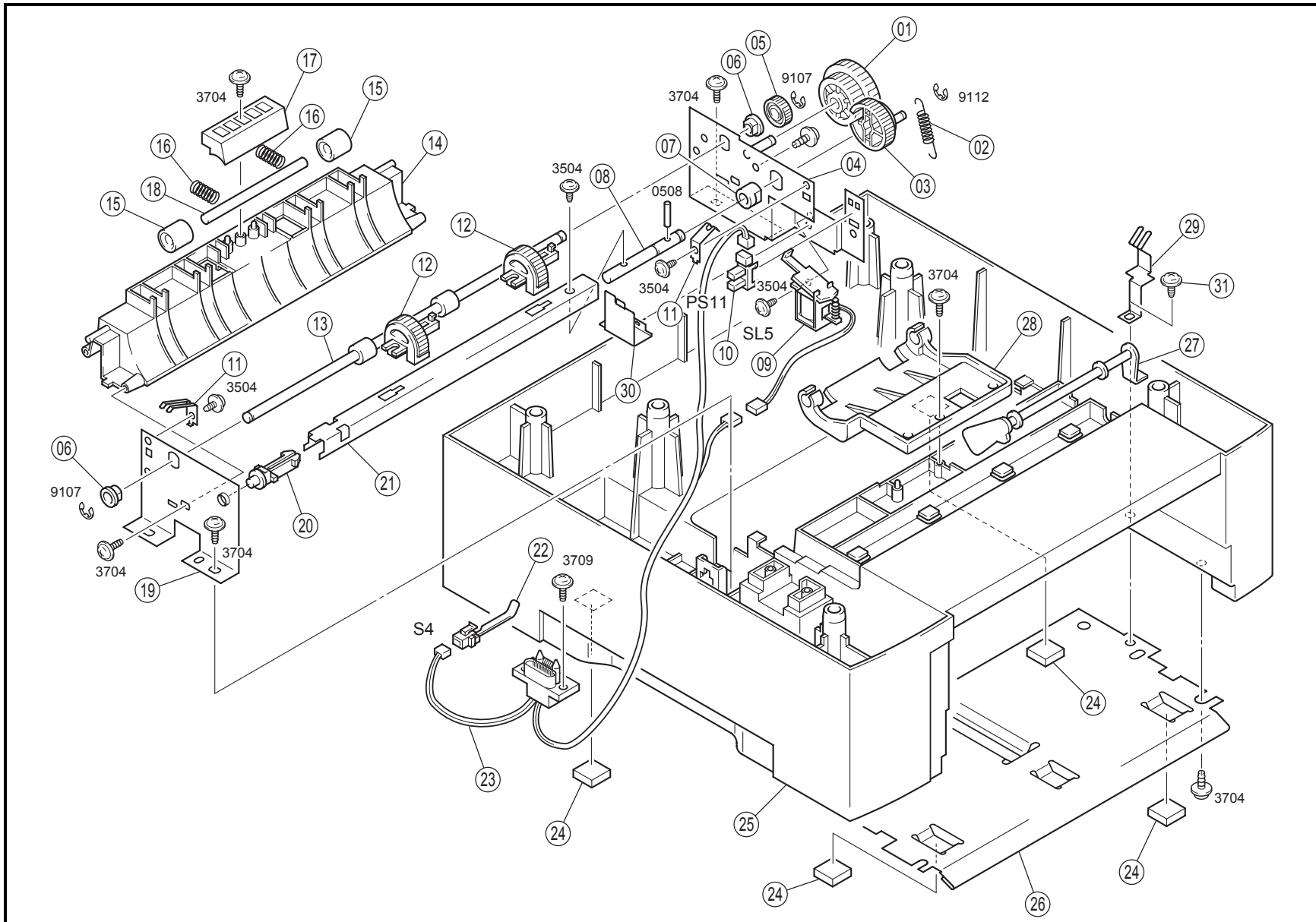
INDEX	PART NO.	PART NAME	QTY	AREA	REMARKS	INDEX	PART NO.	PART NAME	QTY	AREA	REMARKS
01AA	4111-2022-01	D/C LABEL(R)	1			43AA	4109-2505-01	GEAR 18/50T	1		
02AA	4111-2024-01	T/C LABEL(R)	1			44AA	4109-2506-01	GEAR 20/48T	1		
03AA	4111-2553-01	SPACER	1			45AA	4109-2519-01	GEAR 27T	1		
04AA	4111-2517-02	GEAR 26T	1			46AA	4109-2510-01	GEAR 18/42T	2		
05AA	4111-2531-01	WASHER	1			47AA	4109-2509-01	GEAR 21/50T	1		
06AA	4109-4117-02	BUSHING	1			48AA	4109-2511-01	GEAR 20T	1		
07AA	4111-0761-01	GUIDE	1			49AA	4111-2509-02	GEAR 21/50T	1		
08AA	4109-2028-01	SPACER	1			50AA	4109-2507-01	GEAR 24/30T	1		
09AA	4111-2023-01	D/C LABEL(L)	1			51AA	4109-2512-01	GEAR 20/28T	1		
10AA	4111-2025-01	T/C LABEL(L)	1			52AA	4109-2514-01	GEAR 20/32T	1		
11AA	4109-2013-01	TORSION SPRING	1			53AA	4109-2515-01	GEAR 26T	1		
12AA	4109-0756-01	FRAME ASSY	1			54AA	4111-2551-01	SLIDE PLATE	1		
13AA	4109-2040-02	POLYESTER FILM	1			55AA	4109-2503-01	GEAR 40T	1		
14AA	4109-2061-01	SPONGE	1			56AA	4109-2504-01	GEAR 22/43T	1		
15AA	4109-2015-01	RUBBER FOOT	1			57AA	4111-2552-01	PRESSURE SPRING	1		
16AA	4111-3561-03	BUSHING	1			58AA	4111-3447-01	SPACER	2		
17AA	4111-3552-02	ROLLER	1			59AA	4111-0301-01	DRIVE UNIT	1		
18AA	4111-3570-02	TAPE	4			60AA	4111-0311-01	TRANS ROLLER UNIT	1		
19AA	4109-4107-03	PRESSURE SPRING	1								
20AA	4109-4114-03	BUSHING	1								
21AA	4111-3565-01	GUIDE	4								
22AA	4109-4104-03	BUSHING	1								
23AA	4109-4126-01	SPACER	2								
24AA	4109-4103-01	ROLLER	1								
25AA	1200-3221-04	BUSHING	1								
26AA	4109-4108-02	PRESSURE SPRING	1								
27AA	4109-4115-03	GUIDE	1								
28AA	4109-4111-02	GEAR 21T	1								
29AA	4111-2518-01	GEAR 28T	1								
30AA	4109-4118-03	POLYESTER FILM	1								
31AA	4109-4112-01	PLATE	1								
32AA	4111-0755-01	GUIDE ASSY	1								
33AA	4109-6202-01	PWB-HV	(HV1)								
34AA	4111-6810-02	HARNESS	1								
35AA	4111-6102-02	MOTOR	PRINTER	(M1)							
36AA	4111-2026-01	BRACKET	1								
37AA	4111-2015-01	RUBBER FOOT	2								
38AA	4109-2508-01	GEAR 21/56T	1								
39AA	4109-2502-01	GEAR 20/52T	1								
40AA	4109-2501-01	GEAR 20/44T	1								
41AA	4111-2516-01	GEAR 14/20T	1								
42AA	4111-2515-01	GEAR 24/25T	1								



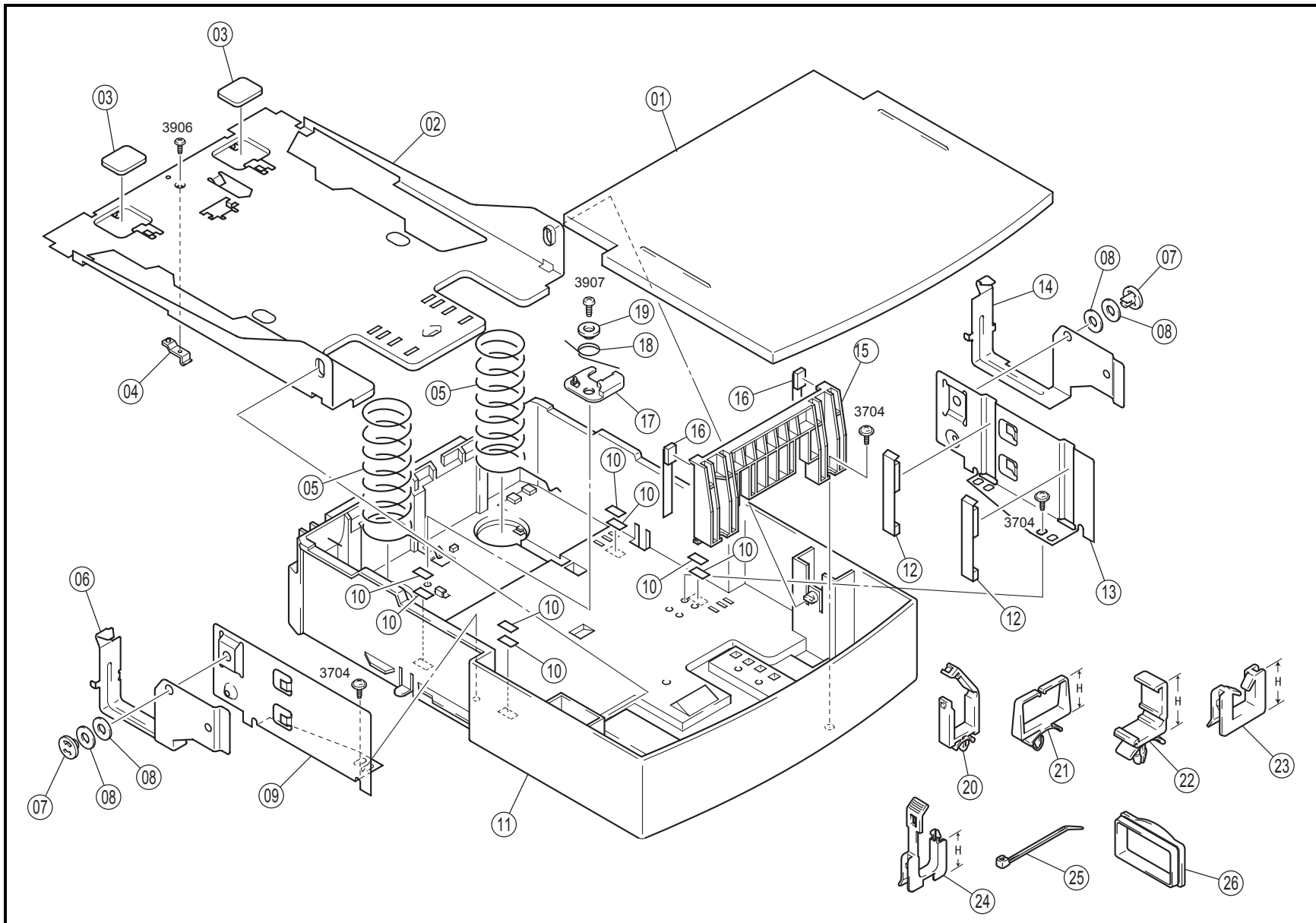
INDEX	PART NO.	PART NAME	QTY	AREA	REMARKS	INDEX	PART NO.	PART NAME	QTY	AREA	REMARKS
01AA	4109-5524-02	HOLDER-LFT	1								
02AA	4109-5512-01	GEAR 36T	1								
03AA	4109-5533-01	SEPARATOR	4								
04AA	4109-5516-01	PRESSURE SPRING	4								
05AA	4111-0757-03	HOUSING	1								
06AA	4109-5526-01	TERMINAL	1								
07AA	4109-5525-01	HOLDER-RT	1								
08AA	4111-6802-03	HARNES	1								
09AA	4109-5522-01	BUSHING	1								
*10AA	4109-6502-01	TUBE LAMP FUSING	(H1)	1	2520						
*10BA	4109-6503-01	TUBE LAMP FUSING	(H1)	1	2612						
11AA	4109-5501-01	FUSING ROLLER-FNT		1							
12AA	4109-5511-01	BUSHING		2							
13AA	4109-5517-01	PRESSURE SPRING		2							
14AA	9335-1410-31	PHOTO INTERRUPTER EXIT	(PS1)	1							
15AA	4109-5505-03	GUIDE		1							
16AA	4109-5530-01	STOPPER		1							
17AA	4109-5518-01	ACTUATOR		1							
18AA	4109-5502-01	FUSING ROLLER-RR		1							
19AA	4109-5531-01	CLEANING BRUSH		2							
20AA	4109-5521-01	BUSHING		1							
21AA	4109-5503-01	GUIDE		1							
22AA	4109-5543-01	STOPPER-L		1							
23AA	0957-5516-01	SEPARATOR ROLL		2							
24AA	4109-5541-01	HOLDER-L		1							
25AA	4109-6302-01	THERMOSTAT FUSING	(TS1)	1							
26AA	4109-5544-01	STOPPER-R		1							
27AA	4109-5542-01	HOLDER-R		1							
28AA	4109-6701-01	THERMISTOR FUSING	(TH1)	1							
*29AA	4109-0357-01	FUSING UNIT		1	2520						
*29BA	4109-0358-01	FUSING UNIT		1	2612						



INDEX	PART NO.	PART NAME	QTY	AREA	REMARKS	INDEX	PART NO.	PART NAME	QTY	AREA	REMARKS
01AA	4111-2001-25	BRACKET	1								
02AA	4111-6103-02	FAN MOTOR COOLING (M3)	1								
*03AA	4111-6201-03	PWB-PU (PU1)	1	2520							
*03BA	4111-6202-03	PWB-PU (PU1)	1	2612							
04AA	9335-1410-31	PHOTO INTERRUPTER (PS2-4)	3								
05AA	4109-2021-02	HOLDER	2								
06AA	4111-6805-02	HARNESS	1								
07AA	4111-2357-01	PLATE	1								
08AA	4111-2302-02	BRACKET	1								
09AA	4111-2303-05	SHIELD	1								
10AA	4111-2310-01	GROUND PLATE	1								
11AA	4111-2015-01	RUBBER FOOT	2								
12AA	4111-2351-03	BRACKET	1								
13AA	0928-1018-01	SHOULDER SCREW	2								
14AA	4111-6811-02	HARNESS	1								
15AA	4111-2356-01	BRACKET	1								
16AA	4111-0101-03	PW BOARD-A (PWB-A)	1								
17AA	4109-0531-03	PRINT HEAD UNIT	1								
18AA	0997-6211-01	SPEAKER (SP1)	1								
19AA	4111-6807-01	HARNESS	1								
20AA	4111-6809-02	HARNESS	1								
21AA	4111-6803-03	HARNESS	1								
22AA	1200-2105-06	RETAINING RING	1								
23AA	4111-2354-01	BRACKET	1								
24AA	4111-3406-01	TORSION SPRING	1								
25AA	4111-3020-04	BRACKET	1								
26AA	4111-3021-05	ACTUATOR	1								
27AA	4111-2353-01	ACTUATOR	1								
28AA	1200-5212-04	PIN	1								
29AA	0957-0101-01	PW BOARD-G TONER (PWB-G)	1								
30AA	4111-2355-02	HOLDER	1								
31AA	4111-6806-03	HARNESS	1								
32AA	4111-2306-01	BRACKET	1								
33AA	4109-6303-02	SWITCH SAFETY (S2)	1								
34AA	4501-1002-01	CPU ASSY	1								
35AA	4501-1003-01	MODEM PWB MF2600	1								
35BA	4501-1008-01	MODEM PWB MF3600	1								
36AA	4501-1004-01	NCU PCB ASSY	1								
37AA	4501-1001-01	BATTERY ASSY	1								
38AA	9326-1410-31	FERRITE CORE	1								
39AA	4109-5530-01	STOPPER	1								
40AA	4111-2008-01	ADJUSTER PLATE	1								



INDEX	PART NO.	PART NAME	QTY	AREA	REMARKS	INDEX	PART NO.	PART NAME	QTY	AREA	REMARKS
01AA	4165-3824-01	GEAR 26/32T	1								
02AA	4165-3816-01	TENSION SPRING	1								
03AA	4154-3815-01	GEAR 34T	1								
04AA	4154-0201-01	FRAME	1								
05AA	4165-3831-01	GEAR 15T	1								
06AA	0928-3033-01	BUSHING	2								
07AA	1200-3131-07	BUSHING	1								
08AA	4165-3813-02	SHAFT	1								
09AA	0993-6204-02	SOLENOID 2ND (SL5)	1								
10AA	9335-1410-31	PHOTO INTERRUPTER EMPTY (PS11)	1								
11AA	4154-3840-01	GROUND PLATE	2								
12AA	4498-3332-01	ROLLER	2								
13AA	4165-3818-01	ROLLER	1								
14AA	4154-3819-01	GUIDE	1								
15AA	0933-3840-02	ROLL	2								
16AA	0933-3839-02	PRESSURE SPRING	2								
17AA	4165-3833-01	BRACKET	1								
18AA	0933-3826-12	SHAFT	1								
19AA	4154-3805-01	FRAME	1								
20AA	4498-3334-01	SHAFT	1								
21AA	4154-3812-01	AXLE PLATE	1								
22AA	4109-6301-01	SWITCH CASSETTE (S4)	1								
23AA	4154-6801-02	HARNESS	1								
24AA	0956-2015-01	RUBBER FOOT	4								
25AA	4154-3801-03	BASE PLATE	1								
26AA	4165-3802-02	PLATE	1								
27AA	0933-3815-02	ACTUATOR	1								
28AA	4165-3820-02	GUIDE	1								
29AA	4154-3803-01	GROUND PLATE	1								
30AA	4154-3844-01	COVER	1								
31AA	4154-3804-01	SCREW	1								



INDEX	PART NO.	PART NAME	QTY	AREA	REMARKS	INDEX	PART NO.	PART NAME	QTY	AREA	REMARKS
01AA	4165-3907-02	COVER A4/LETTER	1								
01BA	4165-3922-02	COVER LEGAL	1								
02AA	4165-3903-04	LIFTING PLATE	1								
03AA	4165-3920-01	FRICTION PLATE	2								
04AA	4165-3923-01	LOCK LEVER	1								
05AA	4165-3904-02	PRESSURE SPRING	2								
06AA	4165-3914-02	SEPARATOR	1								
07AA	4165-3915-01	PIN	2								
08AA	1200-1562-04	WASHER	4								
09AA	4165-3906-01	GUIDE	1								
10AA	4165-3927-01	SPACER	8								
11AA	4165-3901-05	COVER LETTER	1								
11BA	4165-3902-05	COVER LEGAL	1								
11CA	4165-3930-05	COVER A4	1								
12AA	4165-3916-01	SHEET	2								
13AA	4165-3905-01	GUIDE	1								
14AA	4165-3913-02	SEPARATOR	1								
15AA	4165-3912-01	REGULATING PLATE	1								
16AA	4165-3918-02	SHEET	2								
17AA	4165-3924-01	CAM	1								
18AA	4165-3926-01	TORSION SPRING	1								
19AA	4165-3925-01	COLLAR	1								
20AA	9384-1310-11	WIRING SADDLE 5.2H	5								
21AA	9384-1310-81	WIRING SADDLE 6.4H	5								
22AA	9384-1311-21	WIRING SADDLE 16.8H	1								
23AA	9384-2010-21	EDGE COVER 8.5H	3								
24AA	9384-2010-31	EDGE COVER 15.4H	2								
25AA	9384-1311-11	CABLE TIE 104L	3								
26AA	1038-4006-01	EDGE COVER	1								

PART NO.	FIG.	INDEX	QTY		PART NO.	FIG.	INDEX	QTY		PART NO.	FIG.	INDEX	QTY		PART NO.	FIG.	INDEX	QTY	
0928-1018-01	08	13AA	2		4109-4111-02	06	28AA	1		4111-1154-01	01	27AA	1		4111-3253-01	01	12AA	2	
0928-3033-01	09	06AA	2		4109-4112-01	06	31AA	1		4111-2001-25	08	01AA	1		4111-3302-04	01	34AA	1	
0933-3815-02	09	27AA	1		4109-4114-03	06	20AA	1		4111-2008-01	08	40AA	1		4111-3303-03	01	20AA	1	
0933-3826-12	09	18AA	1		4109-4115-03	06	27AA	1		4111-2015-01	06	37AA	2		4111-3304-02	01	21AA	2	
0933-3839-02	09	16AA	2		4109-4117-02	06	06AA	1		4111-2015-01	08	11AA	2		4111-3305-01	01	21BA	2	
0933-3840-02	09	15AA	2		4109-4118-03	06	30AA	1		4111-2020-01	01	13AA	2		4111-3319-02	02	39AA	1	
0956-2015-01	09	24AA	4		4109-4126-01	06	23AA	2		4111-2022-01	06	01AA	1		4111-3401-02	03	11AA	1	
0957-0101-01	08	29AA	1		4109-5501-01	07	11AA	1		4111-2023-01	06	09AA	1		4111-3402-01	01	31AA	1	
0957-3040-01	02	25AA	1		4109-5502-01	07	18AA	1		4111-2024-01	06	02AA	1		4111-3402-01	03	12AA	1	
0957-3104-01	03	24AA	1		4109-5503-01	07	21AA	1		4111-2025-01	06	10AA	1		4111-3403-03	03	17AA	1	
0957-5516-01	07	23AA	2		4109-5505-03	07	15AA	1		4111-2026-01	06	36AA	1		4111-3404-03	03	56AA	1	
0972-3009-01	02	01AA	2		4109-5511-01	07	12AA	2		4111-2030-01	01	09AA	1		4111-3405-03	03	57AA	1	
0992-3015-02	03	26AA	1		4109-5512-01	07	02AA	1		4111-2031-01	01	08AA	1		4111-3406-01	05	18AA	1	
0992-3019-01	03	27AA	1		4109-5516-01	07	04AA	4		4111-2055-01	01	10AA	1		4111-3406-01	08	24AA	1	
0992-3040-01	03	54AA	2		4109-5517-01	07	13AA	2		4111-2103-17	05	01AA	1		4111-3407-01	05	05AA	1	
0993-6204-02	09	09AA	1		4109-5518-01	07	17AA	1		4111-2104-05	03	01AA	1		4111-3408-02	03	53AA	1	
0997-6205-02	05	17AA	1		4109-5521-01	07	20AA	1		4111-2105-03	05	09AA	1		4111-3409-02	03	58AA	1	
0997-6211-01	08	18AA	1		4109-5522-01	07	09AA	1		4111-2107-04	05	30AA	1		4111-3414-03	03	08AA	1	
0997-7801-01	05	31AA	1		4109-5524-02	07	01AA	1		4111-2108-04	04	05AA	1		4111-3415-01	03	28AA	1	
1038-4006-01	10	26AA	1		4109-5525-01	07	07AA	1		4111-2110-03	05	21AA	2		4111-3416-01	03	25AA	1	
1200-1562-04	10	08AA	4		4109-5526-01	07	06AA	1		4111-2111-02	04	06AA	1		4111-3419-01	05	04AA	1	
1200-2105-06	08	22AA	1		4109-5530-01	05	22AA	1		4111-2113-01	04	14AA	1		4111-3420-03	03	07AA	1	
1200-3131-07	09	07AA	1		4109-5530-01	07	16AA	1		4111-2114-01	04	04AA	2		4111-3421-02	03	06AA	1	
1200-3221-04	06	25AA	1		4109-5530-01	08	39AA	1		4111-2120-01	04	02AA	2		4111-3422-04	03	02AA	1	
1200-3235-04	03	29AA	2		4109-5531-01	07	19AA	2		4111-2121-01	03	32AA	1		4111-3423-01	03	41AA	1	
1200-5212-04	08	28AA	1		4109-5533-01	07	03AA	4		4111-2302-02	08	08AA	1		4111-3424-02	03	16AA	1	
1250-2301-01	01	16AA	2		4109-5541-01	07	24AA	1		4111-2303-05	08	09AA	1		4111-3425-02	03	30AA	2	
1250-2301-01	02	37AA	1		4109-5542-01	07	27AA	1		4111-2306-01	08	32AA	1		4111-3426-04	03	36AA	1	
4109-0357-01	07	29AA	1		4109-5543-01	07	22AA	1		4111-2310-01	08	10AA	1		4111-3431-04	03	05AA	2	
4109-0358-01	07	29BA	1		4109-5544-01	07	26AA	1		4111-2351-03	08	12AA	1		4111-3433-04	03	04AA	2	
4109-0531-03	08	17AA	1		4109-6202-01	06	33AA	1		4111-2353-01	08	27AA	1		4111-3434-01	05	02AA	2	
4109-0756-01	06	12AA	1		4109-6301-01	09	22AA	1		4111-2354-01	08	23AA	1		4111-3435-01	03	13AA	1	
4109-2002-02	01	14AA	2		4109-6302-01	07	25AA	1		4111-2355-02	08	30AA	1		4111-3436-01	05	06AA	4	
4109-2013-01	06	11AA	1		4109-6303-02	08	33AA	1		4111-2356-01	08	15AA	1		4111-3440-02	03	10AA	1	
4109-2015-01	06	15AA	1		4109-6502-01	07	10AA	1		4111-2357-01	08	07AA	1		4111-3441-01	03	55AA	2	
4109-2021-02	08	05AA	2		4109-6503-01	07	10BA	1		4111-2509-02	06	49AA	1		4111-3444-01	05	07AA	1	
4109-2028-01	06	08AA	1		4109-6701-01	07	28AA	1		4111-2515-01	06	42AA	1		4111-3445-01	05	12AA	1	
4109-2036-01	02	35AA	1		4110-3032-01	02	07AA	1		4111-2516-01	06	41AA	1		4111-3447-01	03	03AA	2	
4109-2040-02	06	13AA	1		4110-3055-01	02	03AA	2		4111-2517-02	06	04AA	1		4111-3447-01	06	58AA	2	
4109-2061-01	06	14AA	1		4110-3056-01	02	02AA	2		4111-2518-01	06	29AA	1		4111-3451-03	03	21AA	1	
4109-2501-01	06	40AA	1		4111-0101-03	08	16AA	1		4111-2531-01	06	05AA	1		4111-3452-02	03	23AA	1	
4109-2502-01	06	39AA	1		4111-0301-01	06	59AA	1		4111-2551-01	06	54AA	1		4111-3453-02	03	20AA	1	
4109-2503-01	06	55AA	1		4111-0311-01	06	60AA	1		4111-2552-01	06	57AA	1		4111-3456-01	03	22AA	1	
4109-2504-01	06	56AA	1		4111-0331-01	02	48AA	1		4111-2553-01	06	03AA	1		4111-3501-06	02	27AA	1	
4109-2505-01	06	43AA	1		4111-0751-02	02	05AA	1		4111-2602-02	03	38AA	1		4111-3551-15	02	16AA	1	
4109-2506-01	06	44AA	1		4111-0752-01	03	09AA	1		4111-2603-01	03	40AA	1		4111-3552-02	06	17AA	1	
4109-2507-01	06	50AA	1		4111-0753-01	01	24AA	1		4111-2604-02	03	47AA	1		4111-3553-01	02	20AA	1	
4109-2508-01	06	38AA	1		4111-0754-01	01	22AA	1		4111-2605-01	03	50AA	1		4111-3556-02	02	17AA	1	
4109-2509-01	06	47AA	1		4111-0755-01	06	32AA	1		4111-2606-02	03	33AA	2		4111-3558-02	02	18AA	1	
4109-2510-01	06	46AA	2		4111-0757-03	07	05AA	1		4111-2607-03	03	45AA	1		4111-3559-02	02	15AA	1	
4109-2511-01	06	48AA	1		4111-0758-01	03	46AA	1		4111-2610-01	03	39AA	1		4111-3560-16	02	13AA	1	
4109-2512-01	06	51AA	1		4111-0761-01	06	07AA	1		4111-2611-02	03	37AA	2		4111-3561-03	06	16AA	1	
4109-2514-01	06	52AA	1		4111-1001-04	01	05AA	1		4111-2613-01	03	34AA	1		4111-3564-02	02	19AA	4	
4109-2515-01	06	53AA	1		4111-1002-03	01	11AA	1		4111-2615-01	03	35AA	2		4111-3565-01	06	21AA	4	
4109-2519-01	06	45AA	1		4111-1007-01	01	07AA	1		4111-3005-06	01	29AA	1		4111-3566-01	02	10AA	4	
4109-3001-02	02	26AA	1		4111-1008-03	01	30AA	1		4111-3007-02	02	23AA	1		4111-3567-01	02	14AA	2	
4109-3013-02	01	28AA	1		4111-1009-01	01	35AA	1		4111-3010-05	02	41AA	1		4111-3568-01	02	24AA	2	
4109-3014-12	02	43AA	1		4111-1010-03	01	32AA	1		4111-3018-01	02	29AA	2		4111-3570-02	06	18AA	4	
4109-3015-14	02	46AA	1		4111-1011-01	01	33AA	1		4111-3020-04	08	25AA	1		4111-3571-02	02	11AA	1	
4109-3018-01	02	09AA	1		4111-1101-04	01	36AA	1		4111-3021-05	08	26AA	1		4111-3573-01	02	31AA	1	
4109-3033-01	02	06AA	1		4111-1102-04	01	18AA	1		4111-3022-01	02	33AA	2		4111-3601-03	05	15AA	1	
4109-3034-13	02	42AA	1		4111-1103-03	01	01AA	1		4111-3029-03	02	04AA	1		4111-3602-04	03	14AA	4	
4109-3502-03	02	12AA	1		4111-1104-02	01	15AA	1		4111-3041-01	02	08AA	1		4111-3602-04	05	29AA	4	
4109-3504-01	02	45AA	1		4111-1105-01	01	04AA	2		4111-3042-01	02	28AA	1		4111-3603-03	05	10AA	1	
4109-3505-01	02	44AA	1		4111-1107-03	01	25AA	1		4111-3043-04	02	34AA	1		4111-3607-13	03	52AA	1	
4109-3730-01	01	23AA	1		4111-1108-02	01	03AA	1		4111-3050-02	02	38AA	1		4111-3608-02	03	51AA	2	
4109-4103-01	06	24AA	1		4111-1109-01	01	17AA	1		4111-3051-01	02	47AA	1		4111-3610-01	03	48AA	1	
4109-4104-03	06	22AA	1		4111-1151-01	01	37AA	1		4111-3052-03	02	32AA	1		4111-3611-18	04	09AA	1	
4109-4107-03	06	19AA	1		4111-1152-01	01	19AA	1		4111-3054-01	02	36AA	1		4111-3613-02	05	11AA	1	
4109-4108-02	06	26AA	1		4111-1153-01	01	26AA	2		4111-3116-01	02	30AA	1		4111-3614-14	03			



Copyright
1999 MINOLTA Co., Ltd.